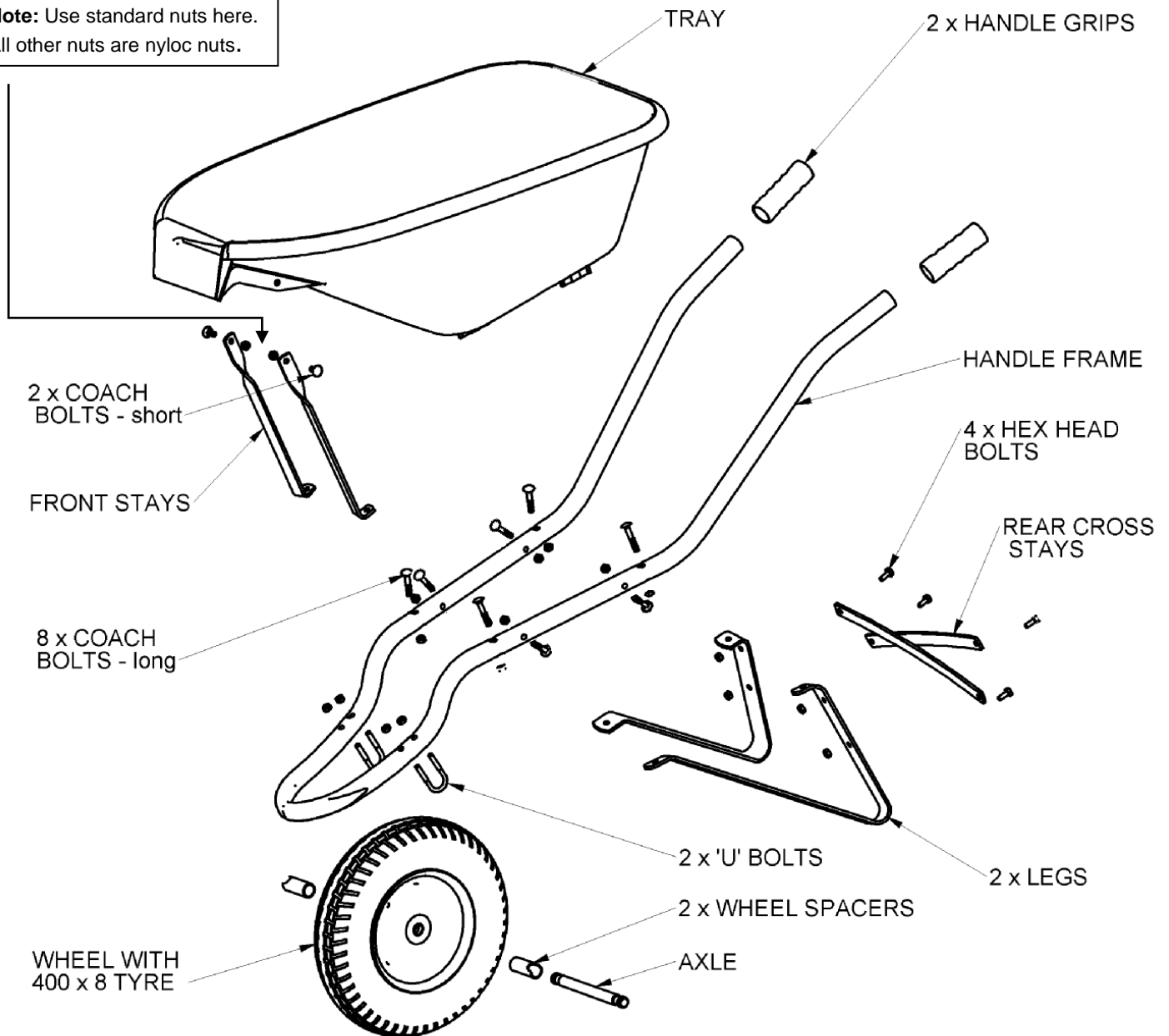


## EZIPOUR ASSEMBLY INSTRUCTIONS

**Note:** Use standard nuts here.  
All other nuts are nyloc nuts.



# ASSEMBLY INSTRUCTIONS

**Important:** Only **finger tighten nuts** during assembly.

1. Place tray upside down on a bench.
2. The handle frame needs to be spread apart at the open end so that the handle frame will fit over the rails on the underside of the tray. Spread the handle frame apart by laying one side on the ground and standing on it at the open end, then, lifting directly up until it is at the correct angle. The holes in the handle frame should match the holes in the tray.
3. To fit the legs push the long coach bolts through the frame as shown and position the legs over the bolts, **fasten tightly and then loosen the nuts.** (This enables the head of coach bolt to be flush with the handle frame).
4. Position the handle frame and legs so that it lines up with holes in the lugs on the underneath of the tray. Take four long coach bolts and push them through the lugs and then through the holes in the handle frame, hand-tighten the nuts.
5. To attach the front stays, bolt them onto the inside of the lugs on the tray with the short coach bolts and standard nuts, and hand tighten the nuts as shown in the diagram.
6. Insert each "U" bolt from on top of the handle frame and position the other end of the front stay over the front most leg of the "U" bolt, then fit nut.
7. To fit the wheel, slide the axle through the wheel bearing and slide an axle spacer (ensuring the cut out notch in the spacer is facing away from the wheel centre) onto either side of the wheel. Position the wheel inside the nose guard of the handle frame and slide axle inside the "U" bolts. Rotate the wheel spacers so that the notch in the axle spacer is sitting against the handle frame. Fit nuts to the rear leg of the "U" bolts.
8. Attach the cross braces to the rear of the legs with the hexagon head bolts and nuts, spreading the legs wide apart to position the cross braces.
10. At this point the Wheelbarrow should be completely assembled and only requires the nuts to be tightened. Start by positioning the wheel in the centre, and tighten the "U" bolt nuts. Work from the front of the Wheelbarrow to the rear.

*YOU HAVE NOW COMPLETED THE ASSEMBLY OF YOUR GREENS EZIPOUR BARROW. WE TRUST THIS PROVIDES YOU WITH YEARS OF PRACTICAL USE.  
MANY THANKS*



Legs	
Front Stays	
Cross Stays	
Hardware Pack	
Axle	
Wheel	

Packed By .....

Date.....